

# Heat Shrink Terminals

## Ring Terminals

**• Materials:**

Conductor: Copper.  
Insulation: Polyethylene.  
Plating: Tin.

**• Shrinkable Temperature:**

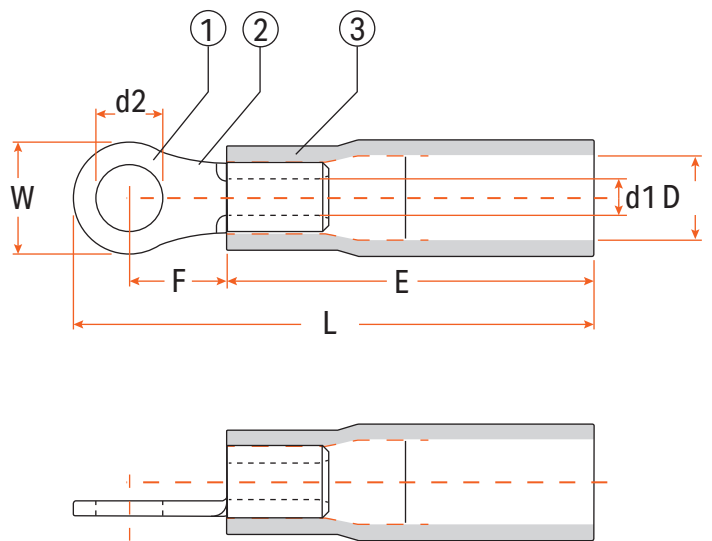
+125°C to +180°C.

**• Operating Temperature:**

-45°C to +125°C.

**• Features:**

Lined with hot melt adhesive.  
Voltage rating: 600V max.  
Low insertion force and easy crimping whilst ensuring secure termination.

**Material**

- ① Copper
- ② Tin
- ③ Polyethylene

See product technical  
table on next page

# Heat Shrink Terminals

## Ring Terminals

Item No.	Colour	Wire Range (mm <sup>2</sup> )	Dimensions (mm)					
			D	d1	d2	W	L	E
HWT37	Red	0.5-1.5	4.5	1.7	4.4	8.0	28.5	19.0
HWT38	Red	0.5-1.5	4.5	1.7	5.4	11.8	34.7	19.0
HWT39	Red	0.5-1.5	4.5	1.7	6.6	11.8	34.7	19.0
HWT40	Red	0.5-1.5	4.5	1.7	8.5	11.8	34.7	19.0
HWT80	Red	0.5-1.5	4.5	1.7	10.6	13.6	38.5	19.0
HWT43	Blue	1.5-2.5	5.5	2.3	4.4	8.5	29.8	19.0
HWT44	Blue	1.5-2.5	5.5	2.3	5.4	9.6	29.8	19.0
HWT45	Blue	1.5-2.5	5.5	2.3	6.6	11.8	29.8	19.0
HWT46	Blue	1.5-2.5	5.5	2.3	8.5	11.8	34.6	19.0
HWT47	Blue	1.5-2.5	5.5	2.3	10.6	13.9	38.5	19.0
HWT48	Blue	1.5-2.5	5.5	2.3	13.0	18.0	43.0	19.0
HWT49	Yellow	4.0-6.0	6.5	3.4	4.4	9.5	34.2	24.0
HWT50	Yellow	4.0-6.0	6.5	3.4	5.4	9.5	34.2	24.0
HWT51	Yellow	4.0-6.0	6.5	3.4	6.6	12.0	34.2	24.0
HWT52	Yellow	4.0-6.0	6.5	3.4	8.5	15.0	42.0	24.0
HWT53	Yellow	4.0-6.0	6.5	3.4	10.5	15.0	42.0	24.0
HWT54	Yellow	4.0-6.0	6.5	3.4	13.0	19.2	46.5	24.0